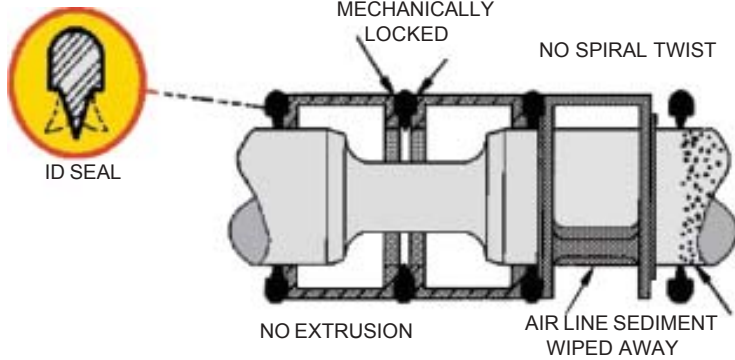




# Features

## Tapered Tee Seal....Eats Dirt



- Bi-Directional tapered Seal lip flexes to clean surface.

## Tapered Flex Seal....

Compact Design



Eliminates Monday morning sticking problems.

- Tested tough and proven reliable according to SAE specifications.
  - Rust and water injected every 864,000 cycles for 20 million cycles.
- Available for use in both air and vacuum service.
- 50 Micron filtration is all that is needed.... **NO need to buy 2-5 micron filters.**
- Molded from superior, tough, Carboxylated Nitrile. Provides five times the abrasion resistance and service life of Buna-n-seals.



## Solenoid.... Guaranteed against burnout

- Three-way pilot uses full air line pressure to shift the valve spool.
- Pilot is internally supplied when the pressure at port 1 is 35 to 150 psig (2 to 10 bar).
- Coil is hermetically sealed as an integral water tight molded unit. Intrinsically safe and explosion-proof versions available.



# Company



- Located in Novi, Michigan, USA. Established 1945.
- AV is represented through a global sales and distribution network.
- Pneumatic applications include Industrial Automation, Automotive, Process Control, Aluminum Smelter, and Power Generation.

# Quality

## Systems

- Automatic Valve quality assurance systems meet requirements of 10CFR50B, ANSI N45.2, and ISO 9001:2008.
- Responsibility for the reportability of defects under 10CFR21 is accepted.

## Products

- Commercial products certified to CSA, PTB, and UL standards.
- Safety related products qualified for harsh environmental conditions, continuous operation during a LOCA event.
- Safety related products environmentally qualified to IEEE standards 323, 344, and 382.



Line Mounted  
.....Compact

- **L Series • 3/2, 5/2, 5/3 • 10-32" - 1"**  
Line mounted compact valves for low cost, high volume OEMs.  
All valves available with manifold mounting.  
Stainless steel valves for corrosion resistance.



Actuator Mounted  
.....Low Profile applications.

- **D Series • 3/2, 5/2, 5/3 • 1/4"**  
Namur mounted compact valves for the actuator market.

# Products



Inline Ported  
.....High Flow

- **K Series • 2/2, 3/2 • 1/8" - 1/4"**  
Inline mounted miniature valves for low cost space saving applications.
- **P Series • 2/2, 3/2 • 1/4" - 1 1/2"**  
Inline mounted valves for high flow applications.



Base Mounted  
.....Interchangeability

- **A Series • 5/2, 5/3 • 1/8" - 1 1/2"**  
Automotive sub-base valves for faster installation and maintenance with SAE interchangeability.
- **F Series • 5/2, 5/3 • 1/4", 3/8"**  
Plug-in valves, supporting multiple protocols with high flow for field bus and manifold applications.
- **I Series • 5/2, 5/3 • 1/4" - 3/4"**  
International sub-base valves for faster installation and maintenance. With ISO 5599/1 Interchangeability.





# AUTOMATIC VALVE

41144 Vincenti Court    Novi, MI USA    48375-1922  
 Internet Address    www.automaticvalve.com  
 Telephone 248.474.6700    Facsimile 248.474.6732  
**World Class Pneumatic Solutions**

Series	FLOW	TYPE			MOUNTING			PORT SIZE (NPT, G)						POSITION		OPERATORS				
	Cv	ID Seal	OD Seal	Poppet	Line	Namur	Base	1/8	1/4	3/8	1/2	3/4	1	1 1/4	1 1/2	2	3	Solenoid	Air	Manual
<b>4 WAY VALVES (Can be plugged for 2 and 3 way)</b>																				
<b>A</b>	2.4	*					*	*								*	*	*	*	*
	8.6	*					*			*	*	*				*	*	*	*	*
	13.7	*					*			*	*	*				*	*	*	*	*
	22.7	*					*						*	*	*	*	*	*	*	*
<b>D</b>	0.6					*		*								*		*		
	1.8	*				*		*								*	*	*	*	*
<b>F</b>	1.6		*			*		*	*							*	*	*	*	
<b>I</b>	1.5	*				*										*	*	*	*	
	2.0	*				*										*	*	*	*	*
	4.5	*				*										*	*	*	*	
<b>L</b>	0.4		*		*	*	*	*								*		*	*	*
	0.7	*			*	*	*	*	*							*	*	*	*	
	2.0	*			*	*	*	*	*							*	*	*	*	*
	5.0	*			*	*	*	*	*	*						*	*	*	*	*
	9.5	*			*	*	*	*	*	*	*					*	*	*	*	*
<b>2 AND 3 WAY VALVES</b>																				
<b>K</b>	0.1			*		*	*	*								*		*		
	0.4			*		*	*	*								*		*		
	0.8			*												*				*
<b>L</b>	1.8		*		*	*	*	*	*							*		*	*	*
	4.8	*			*	*	*	*	*							*		*	*	*
<b>P</b>	5.5			*			*	*	*							*		*	*	
	13.8			*			*	*	*							*		*	*	
	33.8			*			*	*	*	*						*		*	*	



www.automaticvalve.com

Access our Home Page on the World Wide Web for more information about....

- Company Profile                      • Service
- Catalogs                                • Local Stocking Distributors
- New Products

or E-mail us: [avc@automaticvalve.com](mailto:avc@automaticvalve.com)